

Overview

The rechargeable batteries are lead-lead dioxide systems. The dilute sulfuric acid electrolyte is absorbed by separators and plates and thus immobilized. Should the battery be accidentally overcharged producing hydrogen and oxygen, special oneway valves allow the gases to escape thus avoiding excessive pressure build-up. Otherwise, the battery is completely sealed and is, therefore, maintenance-free, leak proof and usable in any position.



Battery Construction

Component	Positive plate	Negative plate	Container	Cover	Safety valve	Terminal	Separator	Electrolyte
Raw material	Lead dioxide	Lead	ABS	ABS	Rubber	Copper	Fiberglass	Sulfuric acid

General Features

- Positive and negative plates in lead-calcium-tin alloy;
- Stable Quality&High Reliability;
- Sealed Construction;
- Long Service Life;
- Maintenance-Free Operation;
- Low Pressure Venting System;
- Low Self Discharge;
- U.L.Component Recognition;
- Six months shelf life at 20°C;
- Design life 10 years

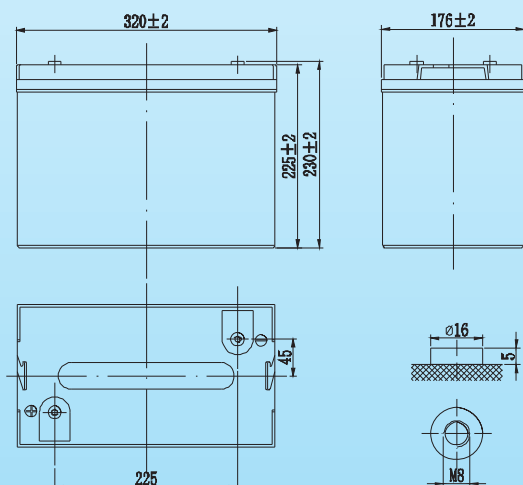
Battery Specification

Performance Characteristics	
Nominal Voltage	6V
Number of cell	3
Design Life	10years
Nominal Capacity 77°F(25°C)	
10 hour rate (22.5A, 5.40V)	225Ah
5 hour rate (40.0A, 5.25V)	200Ah
1 hour rate (153A, 4.8V)	153Ah
Internal Resistance	
Fully Charged battery 77°F(25°C)	≤3.2 mOhms
Self-Discharge	
3% of capacity declined per month at 20°C(average)	
Operating Temperature Range	
Discharge	-20~60°C
Charge	-10~60°C
Storage	-20~60°C
Max. Discharge Current 77°F(25°C)	1000A(5s)
Short Circuit Current	3800A
Charge Methods: Constant Voltage Charge 77°F(25°C)	
Cycle use	2.40-2.45VPC
Maximum charging current	67.5A
Temperature compensation	-15mV/°C
Standby use	2.20-2.30VPC
Temperature compensation	-10mV/°C

Dimensions and Weight

Length(mm / inch)	320 /12.6
Width(mm / inch)	176 /6.93
Height(mm / inch)	225 /8.86
Total Height(mm / inch)	230 /9.06
Approx. Weight(Kg / lbs)	30.5 /67.3

* Weight deviation: ± 5%



Discharge Constant Current (Amperes at 77°F25°C)

End Point						
Volts/Cell	30min	45min	1h	3h	5h	10h
1.60V	238	184	153	62.0	42.0	23.7
1.65V	227	179	147	61.1	41.5	23.4
1.70V	230	176	139	61.0	40.8	23.1
1.75V	219	165	141	60.1	40.0	22.8
1.80V	199	157	126	54.7	39.1	22.5

Discharge Constant Power (Watts at 77°F25°C)

End Point						
Volts/Cell	30min	45min	1h	2h	3h	5h
1.60V	465	348	279	162	123	81.7
1.65V	428	321	265	156	119	81.1
1.70V	413	315	259	150	113	80.5
1.75V	396	308	254	147	112	79.0
1.80V	389	302	242	143	110	77.0

(Note)The above characteristics data are average values obtained within three charge/discharge cycles not the minimum values.All data shall be changed without notice, Vision reserves the right to explain and update the information contained hereinto.



VISION GROUP
Shenzhen Center Power
Tech.Co.Ltd.,

3FM225-X

6V 225Ah(10hr)

