



**VISION GROUP**  
Shenzhen Center Power  
Tech.Co.Ltd.,

# HF12-370W-X

12V 76Ah

## Overview

The rechargeable batteries are lead-lead dioxide systems. The dilute sulfuric acid electrolyte is absorbed by separators and plates and thus immobilized. Should the battery be accidentally overcharged producing hydrogen and oxygen, special oneway valves allow the gases to escape thus avoiding excessive pressure build-up. Otherwise, the battery is completely sealed and is, therefore, maintenance-free, leak proof and usable in any position.



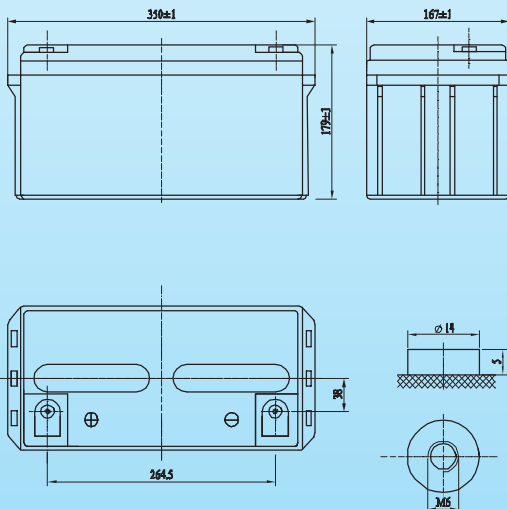
## General Features

- Positive and negative plates in lead-calcium tin alloy;
- Superior energy density;
- Operates at a low internal pressure;
- Gas Recombination;
- Usable in any orientation;
- A recognized component of UL;
- Very high power output;
- Application specific designs;
- A couple Range from 13W to 1010W per cell for 10'@1.60Vpc;
- Six months shelf life at 20°C;
- Design life 10 years.

## Dimensions and Weight

Length(mm / inch)	350 / 13.8
Width(mm / inch)	167 / 6.57
Height(mm / inch)	179 / 7.05
Total Height(mm / inch)	179 / 7.05
Approx. Weight(Kg / lbs)	26.2 / 57.8

\* Weight deviation:  $\pm 5\%$



## Battery Specification

Performance Characteristics	
Nominal Voltage	12V
Number of cell	6
Design Life	10 years
Nominal Capacity 77°F(25°C)	
10 min wattage @1.6V	370W/cell
20hour rate (4.00A, 10.5V)	80.0Ah
10hour rate (7.60A, 10.8V)	76.0Ah
Internal Resistance	
Fully Charged battery 77°F(25°C)	$\leq 4.7$ mOhms
Self-Discharge	
3% of capacity declined per month at 20°C(average)	
Operating Temperature Range	
Discharge	-20~60°C
Charge	-10~60°C
Storage	-20~60°C
Max. Discharge Current 77°F(25°C)	750A(5s)
Charge Methods: Constant Voltage Charge 77°F(25°C)	
Cycle use	2.40-2.45VPC
Maximum charging current	24.0A
Temperature compensation	-30mV/°C
Standby use	2.20-2.30VPC
Temperature compensation	-20mV/°C

## Discharge Constant Current (Amperes at 77°F25°C)

End Point						
Volts/Cell	5min	10min	15min	30min	45min	60min
1.60V	269	208	167	104	75.6	62.1
1.65V	253	197	159	99.0	71.9	59.2
1.70V	237	186	150	93.7	68.2	56.4
1.75V	221	174	141	88.3	64.6	53.5
1.80V	212	168	136	86.0	63.0	52.3

## Discharge Constant Power (Watts at 77°F25°C)

End Point						
Volts/Cell	5min	10min	15min	30min	45min	60min
1.60V	498	370	287	178	133	106
1.65V	477	356	277	172	129	103
1.70V	456	343	267	167	125	100
1.75V	434	329	257	161	121	97.4
1.80V	413	315	247	155	117	94.5

(Note)The above characteristics data are average values obtained within three charge/discharge cycles not the minimum values.All data shall be changed without notice, Vision reserves the right to explain and update the information contained hereinto.



**VISION GROUP**  
Shenzhen Center Power  
Tech.Co.Ltd.,

# HF12-370W-X

12V 76Ah

